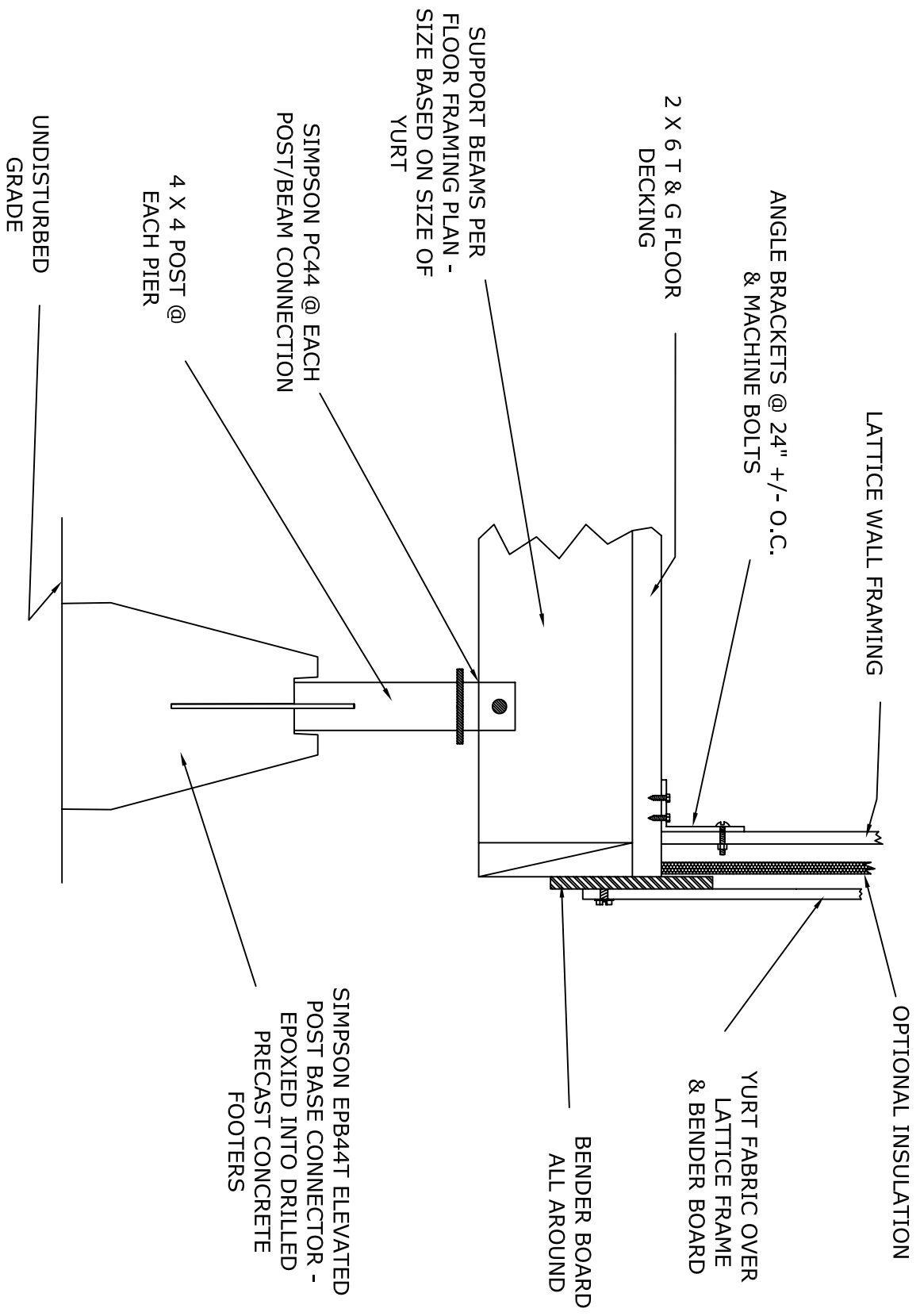


Beams should be installed at full length and the "scribed" back to 24" diameter

MATERIAL LIST	
FOUNDATION	
22	PRECAST CONCRETE FOOTERS or "BIG FOOT" FORMS
FLOOR SUPPORT	
6	4 X 8 10'-0" LONG BEAMS
9	4 X 8 12'-0" LONG BEAMS
7	2 X 8 10'-0" LONG RIM JOISTS
4	2 X 8 8'-0" LONG BLOCKING (OPTIONAL)
NOTE: ALL BEAMS, RIM JOISTS AND BLOCKING TO BE #2 HEM FIR OR BETTER	
FLOOR & PORCH	
1,100	BD. FEET 2 X 6 T & G FLOORING #2 HEM FIR or BETTER
190	BD. FEET 2 X 6 PORCH MATERIAL REDWOOD, CEDAR OR EQUAL
NOTE: SEE DETAILS FOR VARIOUS SIMPSON CONNECTORS NEEDED.	

24' DIA SIMPLE YURT DESIGN

FOUNDATION, BEAM & FLOOR LAYOUT	SY 24	A3
NOTE: SEE DETAILS SHEET S1-S5 FOR MORE INFO AND OPTIONAL CONSTRUCTION TECHNIQUES		of
		5



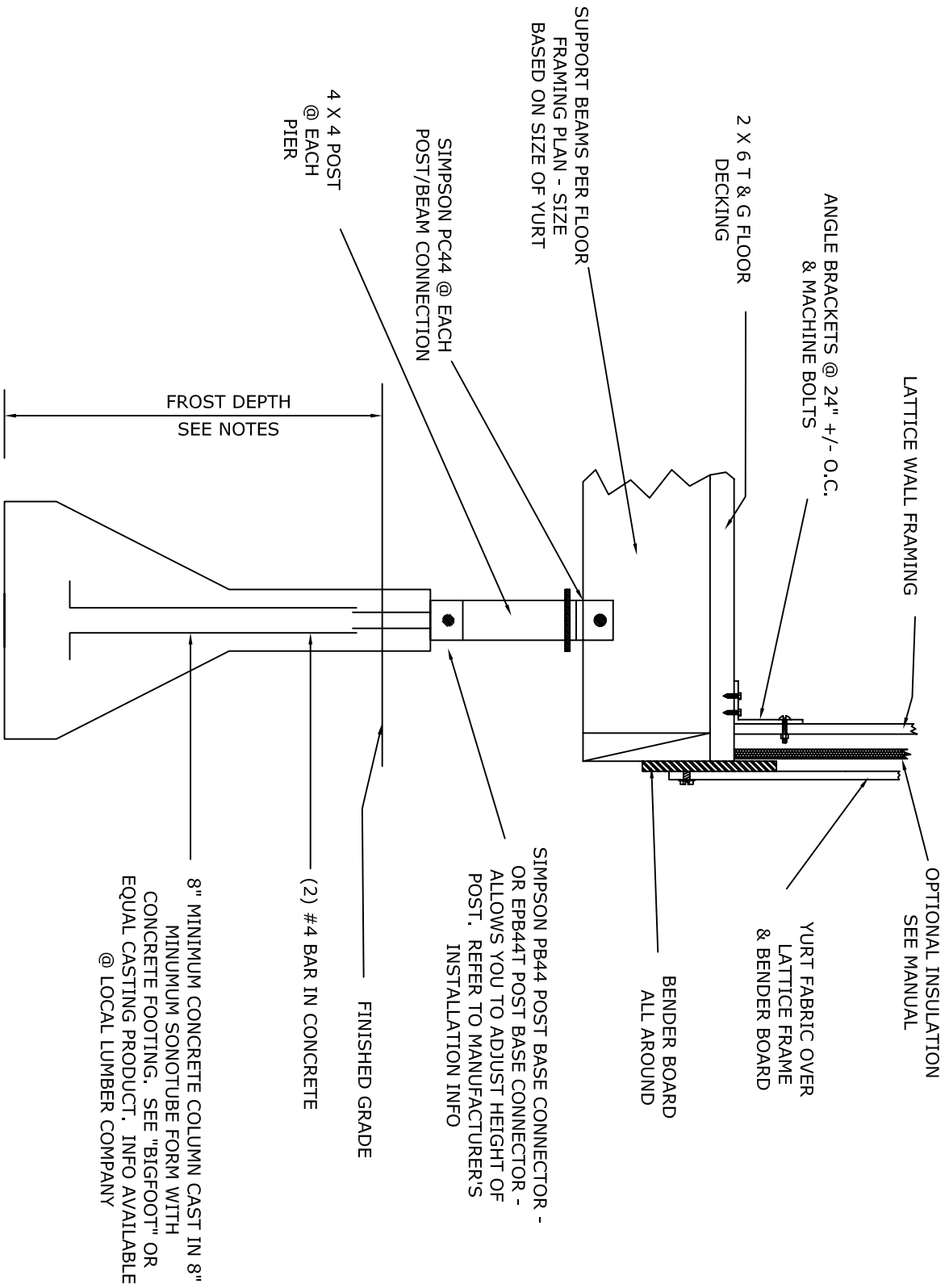
FDN DETAIL

1

DET. #1
SIMPLE YURT
FOUNDATION

S1 of 5

THIS DETAIL IS FOR A "SIMPLE" YURT DECK THIS DEPICTS A FOUNDATION STRUCTURE THAT CAN BE DISASSEMBLED AND REASSEMBLED. BLOCKING & POST CONNECTIONS BETWEEN BEAMS WILL CREATE A STRONGER MORE RIGID FLOOR SYSTEM.

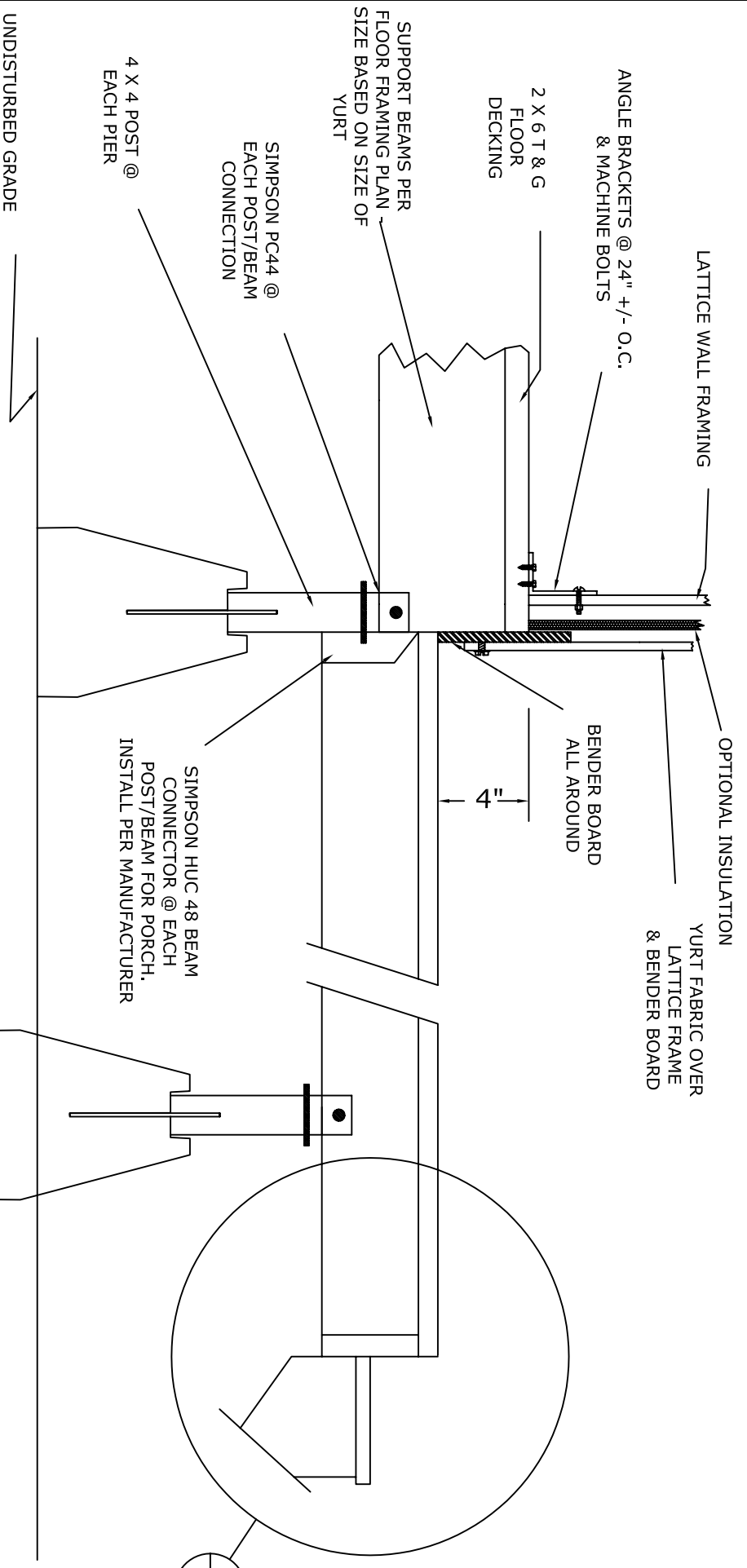


FDN DETAIL

2

DET. #2
SIMPLE YURT FOUNDATION
S2 of 5

NOTES: VERIFY WITH YOUR LOCAL BUILDING DEPT. FOR EXACT FROST DEPTH. THIS DETAIL DEPICTS A PERMANENT FOUNDATION, IT WILL CREATE A MORE SOLID SUBSTRUCTURE, PROTECTING AGAINST GROUND MOVEMENT, DUE TO FREEZE/THAW SITUATIONS. BLOCKING @ POST CONNECTIONS BETWEEN BEAMS WILL CREATE A MORE RIGID FLOOR SYSTEM.



LATTICE WALL FRAMING

ANGLE BRACKETS @ 24" +/- O.C.
& MACHINE BOLTS

2 X 6 T & G
FLOOR
DECKING

SUPPORT BEAMS PER
FLOOR FRAMING PLAN -
SIZE BASED ON SIZE OF
YURT

SIMPSON PC44 @
EACH POST/BEAM
CONNECTION

4 X 4 POST @
EACH PIER

UNDISTURBED GRADE

OPTIONAL INSULATION

YURT FABRIC OVER
LATTICE FRAME
& BENDER BOARD

BENDER BOARD
ALL AROUND

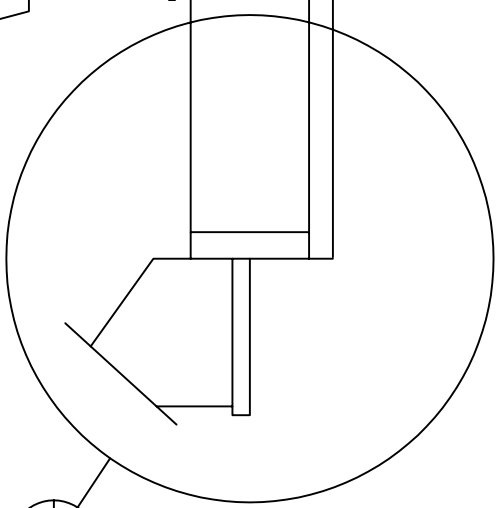
4"

SIMPSON HUC 48 BEAM
CONNECTOR @ EACH
POST/BEAM FOR PORCH.
INSTALL PER MANUFACTURER

3

PORCH DETAIL

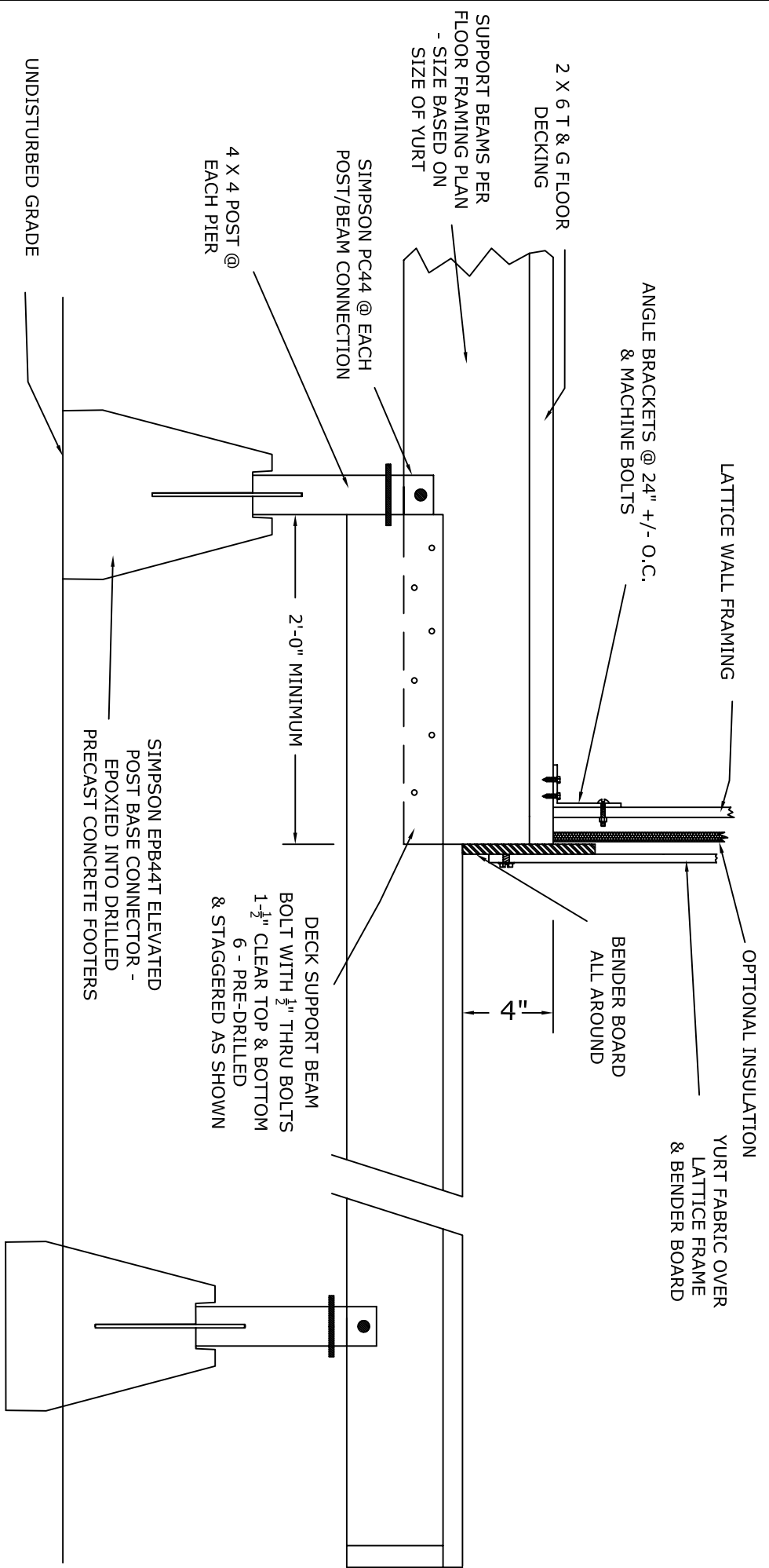
NOTE: THIS DETAIL CANNOT BE USED WITH
CANTILEVERED BEAM LAYOUTS.
INSTALL ALL SIMPSON CONNECTORS PER
MANUFACTURER INSTRUCTIONS.



6
5

SIMPSON EPB44T ELEVATED
POST BASE CONNECTOR -
EPOXIED INTO DRILLED
PRECAST CONCRETE
FOOTERS

DET. #3
SIMPLE YURT FOUNDATION
S3 of 5



DET. #4
 SIMPLE YURT
 FOUNDATION

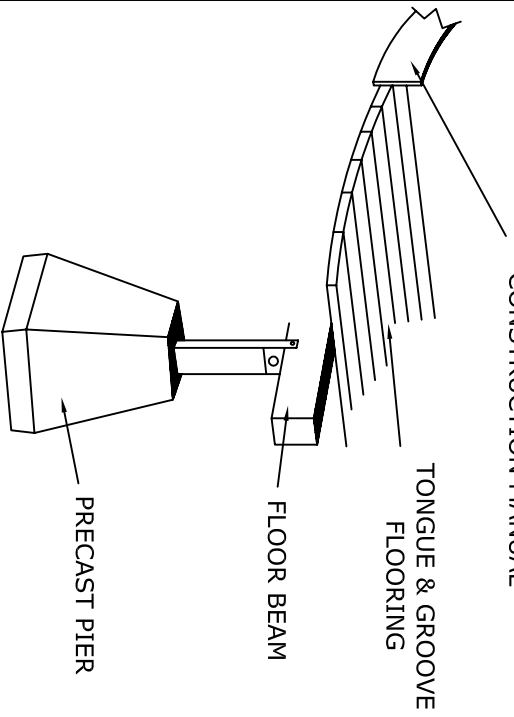
S4 of 5

4

PORCH DETAIL

NOTE: THIS DETAIL CANNOT BE USED WITH ANY BEAMS SMALLER THAN A 4 X 8

BENDER BOARD INSTALL PER
CONSTRUCTION MANUAL

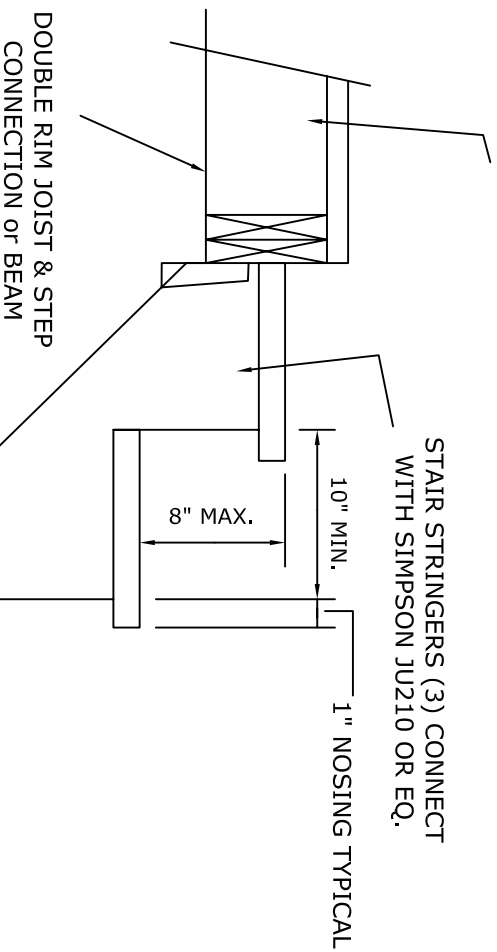


DETAIL

5

NTS

PORCH JOISTS WITH 2 X 6
EXTERIOR DECKING



STAIR DETAIL

6

NTS

Note: The bender board is used to surround and retain the lattice of the yurt. It should attach to the perimeter of the raised "footprint" portion of the deck so that it clears the surface the lattice wall attaches to by 2-3" (do not exceed 3- $\frac{1}{2}$ "). Leave a 48" gap in your bender board for each door in your yurt. (54" gap for French doors).

The bender board can be attached *outside* of the finished size of the footprint. For example, a 20' yurt footprint equals 20' diameter *plus* the thickness of the bender board.

Choose an appropriate material for your bender board: $\frac{1}{2}$ " CDX plywood, or two layers or $\frac{3}{8}$ " mahogany plywood. In damp areas use pressure treated plywood, redwood, Trex 1x fascia (or comparable) or equal.

DET. # 5
& 6
SIMPLE YURT
FOUNDATION

S5 of 5