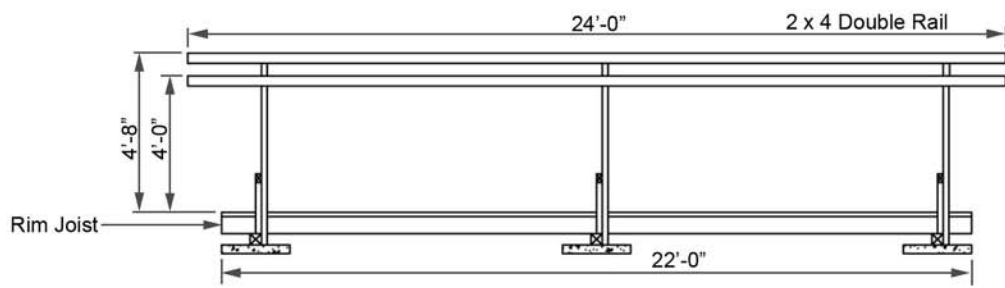




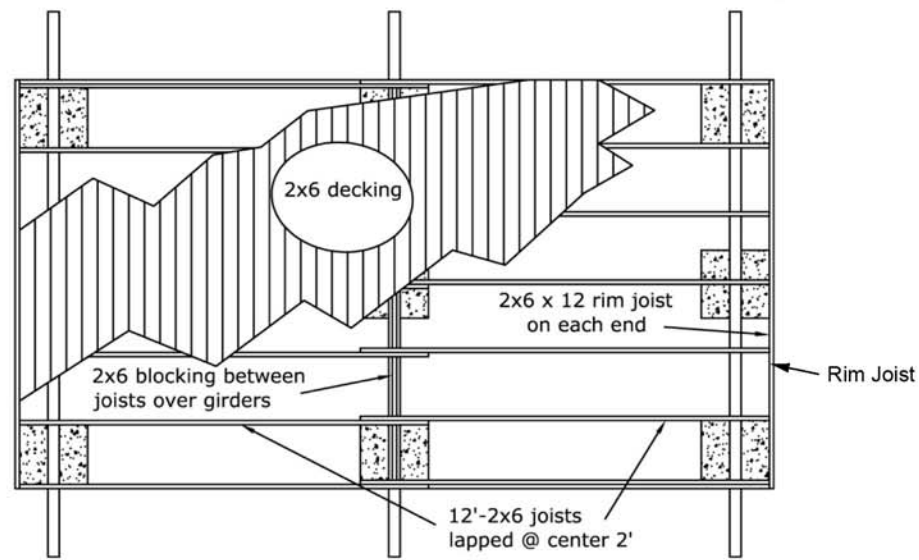
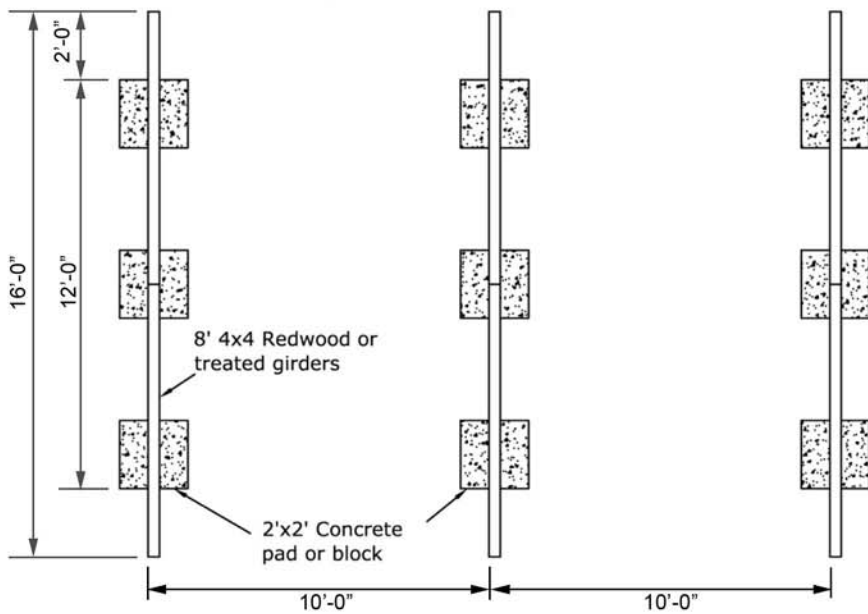
12' x 14' PLATFORM WALL TENT WITH EXTENDED FLY

12' x 22' Platform for 12' x 14' Tent with Extended Fly



MATERIALS LIST		
ITEM	ITEM	DIMENSION
GIRDERS	6	4" X 4" X 8'
JOISTS (& RIM JOISTS)	18	2" X 6" X 12'
DECKING	48	2" X 6" X 12'
BLOCKING	as needed	2" X 6"
POSTS	6	2" X 4" X 6' (approx)
RAILS	8	2" X 4" X 12'
BRACES	6	2" X 4" X 4' (approx)
CONCRETE PADS	9	2' X 2'

Cross-section diagram of the platform structure. It shows a concrete pad at the base, with a girder resting on it. Joists are spaced across the girder, and a deck is laid on top. A brace is shown supporting the structure.



Pole Set for 12' x 14' Platform Tent with Extended Fly

