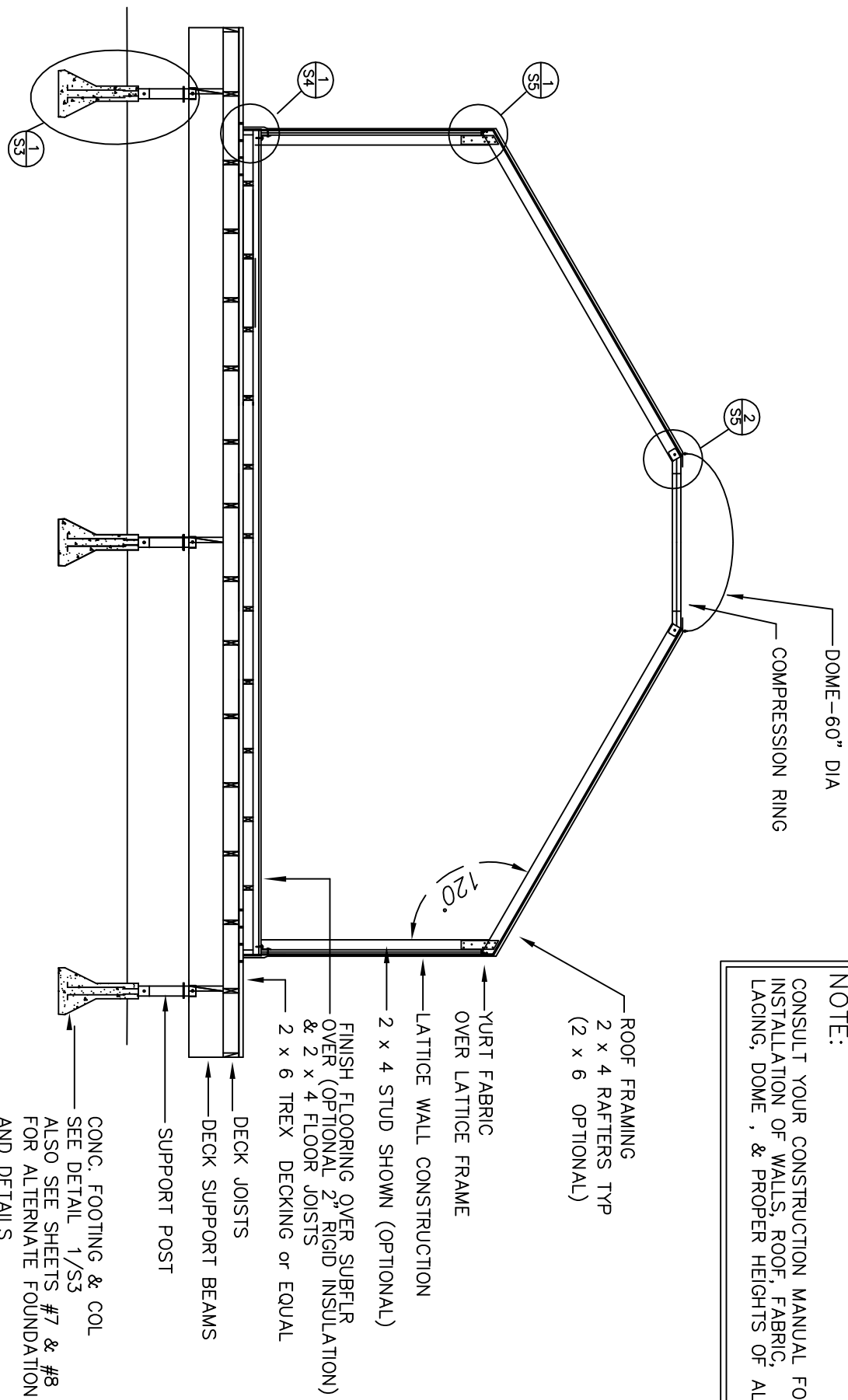


**NOTE:**  
 CONSULT YOUR CONSTRUCTION MANUAL FOR  
 INSTALLATION OF WALLS, ROOF, FABRIC,  
 LACING, DOME , & PROPER HEIGHTS OF ALL.

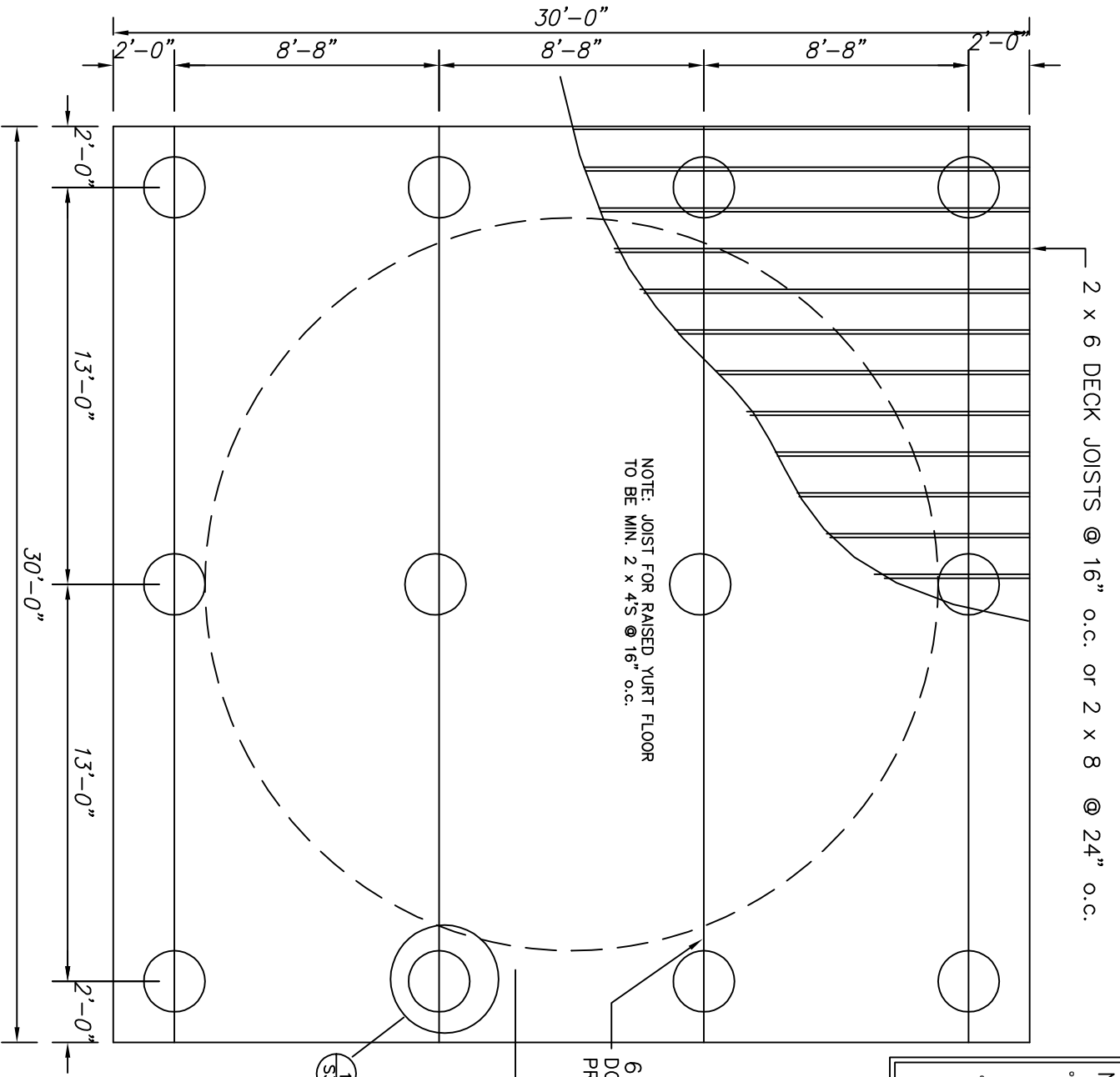


24' YURT BUILDING SECTION A--A

SCALE: 1/4" = 1'-0"

SHEET #1

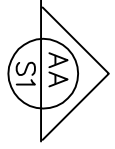
CONC. FOOTING & COL  
 SEE DETAIL 1/S3  
 ALSO SEE SHEETS #7 & #8  
 FOR ALTERNATE FOUNDATION  
 AND DETAILS



**NOTE:**

- ° CONSULT YOUR CONSTRUCTION MANUAL FOR INSTALLATION OF WALLS, ROOF, FABRIC, LACING, DOME, & PROPER HEIGHTS OF ALL.
- ° CONSULT YOUR LOCAL BUILDING DEPT FOR EXACT FROST DEPTH, SIZES OF FOOTINGS AND COLUMNS.

6 x 12 BEAMS @ 8'-8" o.c. DOUG FIR LARCH #2 OR BETTER PRESSURE TREATED



24' YURT FOUNDATION/FLOOR PLAN

SCALE: 3/8" = 1'-0"

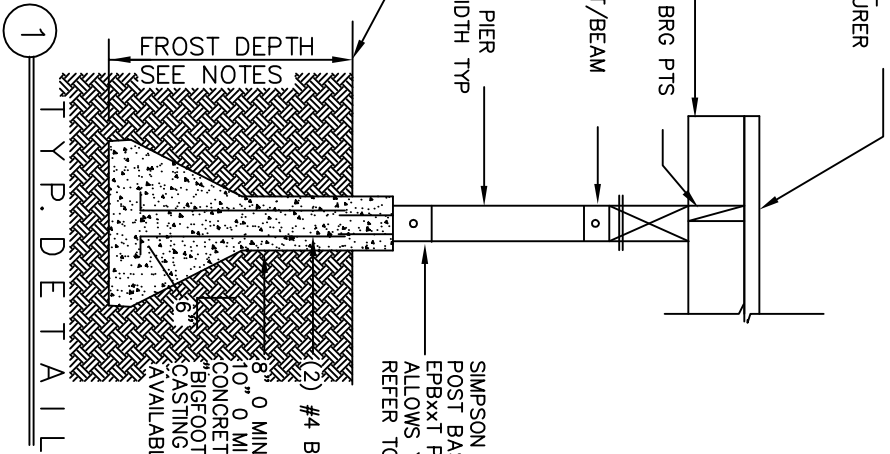
SHEET #2

TREX DECKING OR EQUAL  
SECURE PER MANUFACTURER  
SPECIFICATIONS

2 x DECK JOISTS  
2 x SOLID BLOCKING @ BRG PTS

SIMPSON PC @ EA POST/BEAM  
CONNECTION

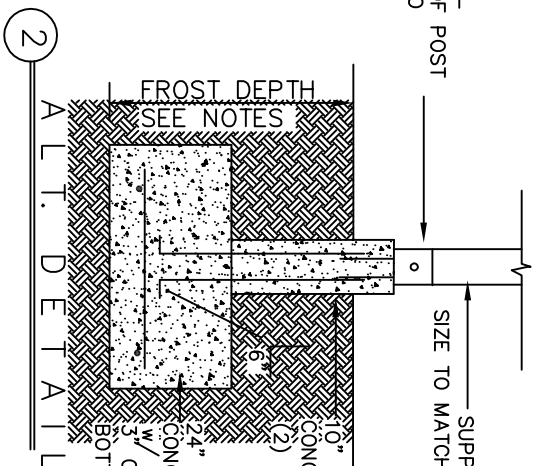
SUPPORT POST @ EA. PIER  
SIZE TO MATCH BEAM WIDTH TYP  
FINISHED GRADE



SIMPSON PB  
POST BASE CONNECTOR - or  
EPBxxT POST BASE CONNECTOR -  
ALLOWS YOU TO ADJUST HEIGHT OF POST  
REFER TO MFR INSTALLATION INFO

(2) #4 BAR IN CONC  
8" 0 MIN. CONC. COL. CAST IN  
10" 0 MIN. SONOTUBE FORM W/  
CONCRETE FOOTING. SEE 28" DIA  
"BIGFOOT" or EQUAL  
CASTING PRODUCT INFO  
AVAILABLE @ LOCAL LUMBER CO.

NOTE:  
• CONSULT YOUR CONSTRUCTION MANUAL FOR  
INSTALLATION OF WALLS, ROOF, FABRIC,  
LAGGING, DOME, & PROPER HEIGHTS OF ALL.  
• CONSULT YOUR LOCAL BUILDING DEPT  
FOR EXACT FROST DEPTH,  
SIZES OF FOOTINGS AND COLUMNS.  
OPTIONAL ALTERNATE FOUNDATION PLANS &  
DETAILS - SEE SHEETS #6 & #7 FOR INFO

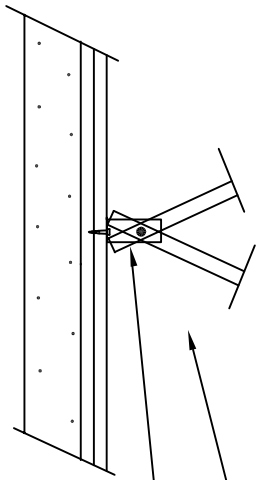


SUPPORT POST TYP  
SIZE TO MATCH BEAM WIDTH TYP

10" 0 SONOTUBE  
CONCRETE FILLED COLUMN  
(2) #4 BAR IN CONC  
24" x 24" x 12" DEEP  
CONC. FOOTINGS  
W/ (2) #4 REBAR EA. WAY  
3" CLR FROM  
BOTTOM & SIDES

TYPICAL FOUNDATION DETAIL

SHEET #3

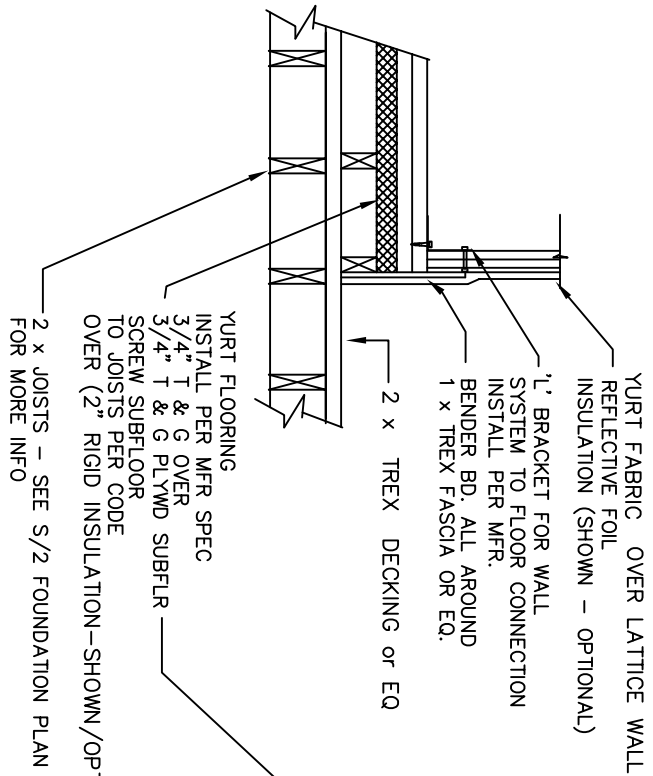


LATTICE WALLS  
W/ FABRIC OVER

ANGLE BRACKETS (PROVIDED) @ EVERY  
OTHER JOINT, APPROX 24" o.c. +/-  
AND AT EA. SIDE OF DOORS  
ATTACHED W/ HARDWARE PER SPECS

**NOTE:**  
CONSULT YOUR CONSTRUCTION MANUAL FOR  
INSTALLATION OF WALLS, ROOF, FABRIC,  
LACING, DOME, & PROPER HEIGHTS OF ALL.

**3**  
LATTICE ATTACHMENT



YURT FABRIC OVER LATTICE WALL  
REFLECTIVE FOIL  
INSULATION (SHOWN - OPTIONAL)

1' BRACKET FOR WALL  
SYSTEM TO FLOOR CONNECTION  
INSTALL PER MFR.

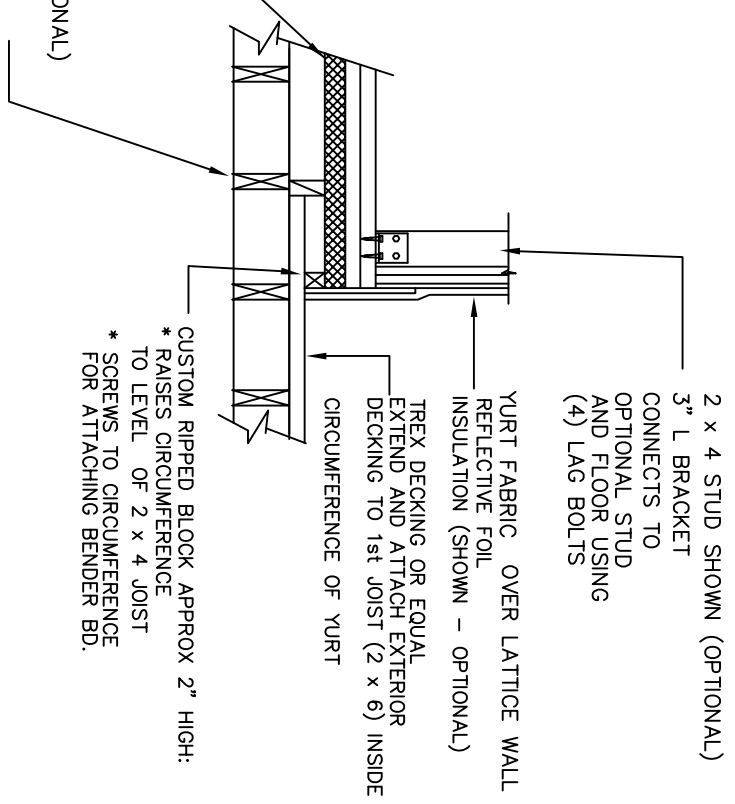
BENDER BD. ALL AROUND  
1 x TREX FASCIA OR EQ.

2 x TREX DECKING or EQ

YURT FLOORING  
INSTALL PER MFR SPEC  
3/4" T & G OVER  
3/4" T & G PLYWD SUBFLR  
SCREW SUBFLOOR  
TO JOISTS PER CODE  
OVER (2" RIGID INSULATION-SHOWN/OPTIONAL)

2 x JOISTS - SEE S/2 FOUNDATION PLAN  
FOR MORE INFO

**1**  
TYP. DETAIL  
FLOOR/DECK CONNECTION



2 x 4 STUD SHOWN (OPTIONAL)  
3" L BRACKET  
CONNECTS TO  
OPTIONAL STUD  
AND FLOOR USING  
(4) LAG BOLTS

YURT FABRIC OVER LATTICE WALL  
REFLECTIVE FOIL  
INSULATION (SHOWN - OPTIONAL)

TREX DECKING OR EQUAL  
EXTEND AND ATTACH EXTERIOR  
DECKING TO 1st JOIST (2 x 6) INSIDE  
CIRCUMFERENCE OF YURT

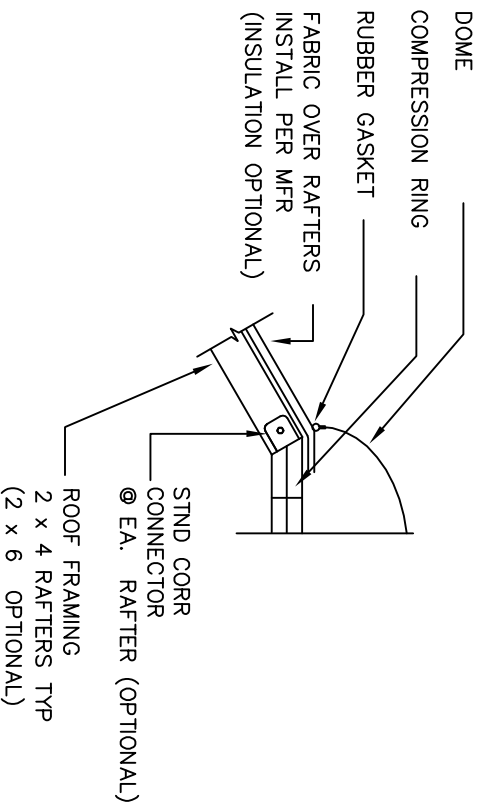
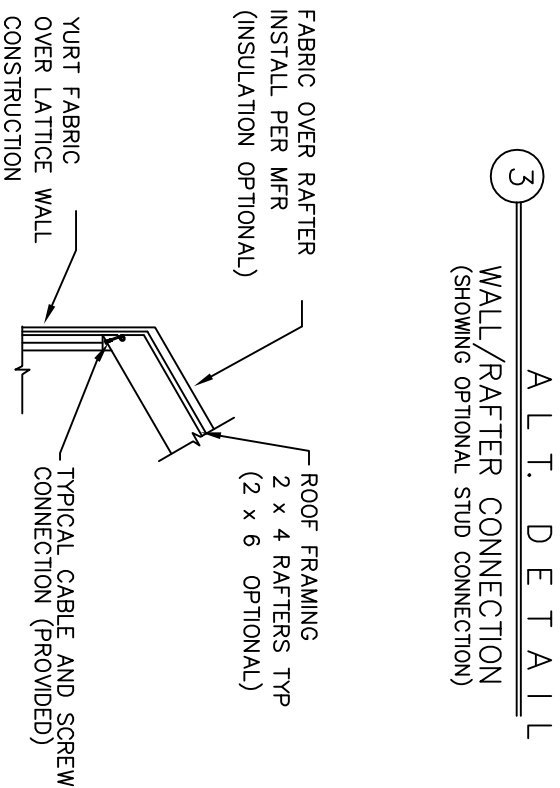
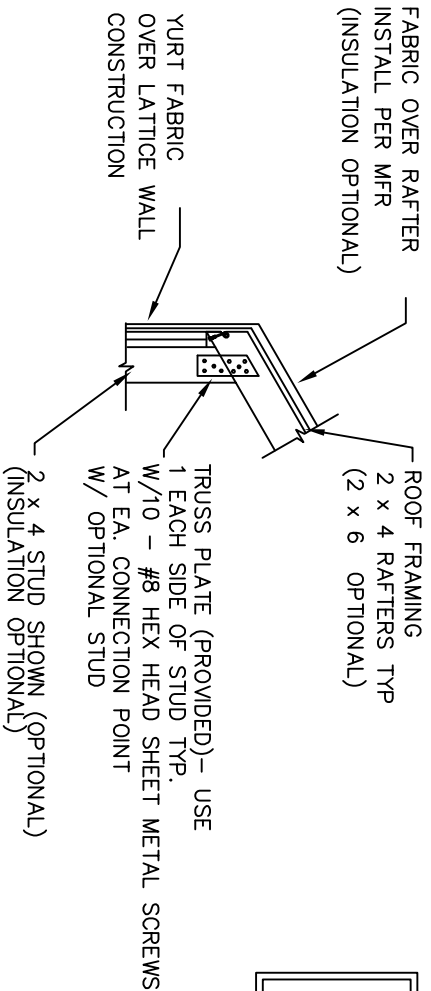
CUSTOM RIPPED BLOCK APPROX 2" HIGH:  
\* RAISES CIRCUMFERENCE  
TO LEVEL OF 2 x 4 JOIST  
\* SCREWS TO CIRCUMFERENCE  
FOR ATTACHING BENDER BD.

**2**  
ALT. DETAIL  
FLOOR/DECK CONNECTION  
ALSO REFER TO DETAIL 1/S6 FOR MORE INFO

YURT FLOOR & WALL SYSTEM

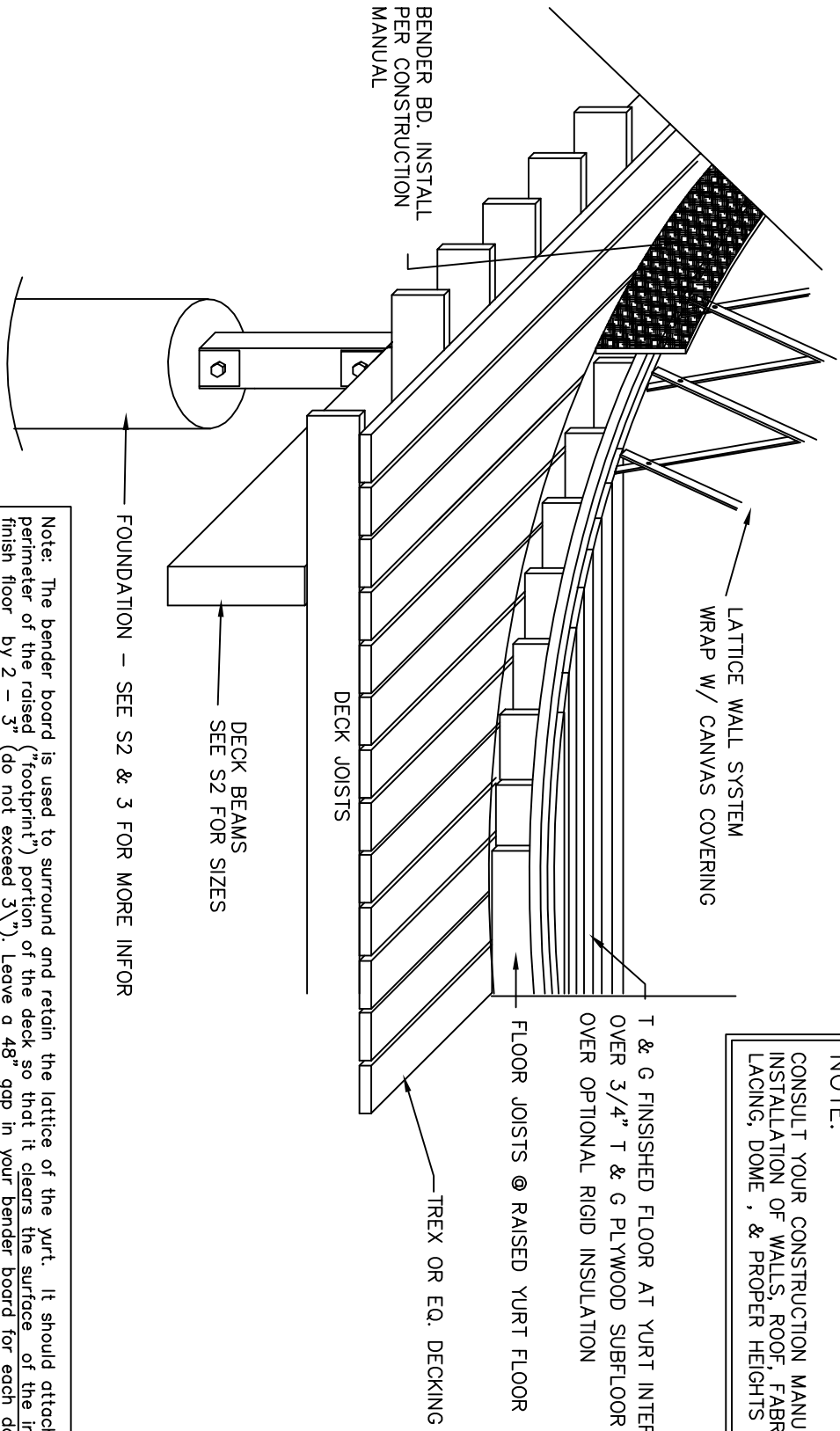
SHEET #4

**NOTE:**  
 CONSULT YOUR CONSTRUCTION MANUAL FOR  
 INSTALLATION OF WALLS, ROOF, FABRIC,  
 LACING, DOME, & PROPER HEIGHTS OF ALL.



YURT RAFTER DETAILS

BENDER BD. INSTALL PER CONSTRUCTION MANUAL



**NOTE:**  
 CONSULT YOUR CONSTRUCTION MANUAL FOR INSTALLATION OF WALLS, ROOF, FABRIC, LACING, DOME , & PROPER HEIGHTS OF ALL.

FOUNDATION — SEE S2 & 3 FOR MORE INFOR

DECK BEAMS  
 SEE S2 FOR SIZES

LATTICE WALL SYSTEM  
 WRAP W/ CANVAS COVERING

DECK JOISTS

T & G FINISHED FLOOR AT YURT INTERIOR  
 OVER 3/4" T & G PLYWOOD SUBFLOOR  
 OVER OPTIONAL RIGID INSULATION

FLOOR JOISTS @ RAISED YURT FLOOR

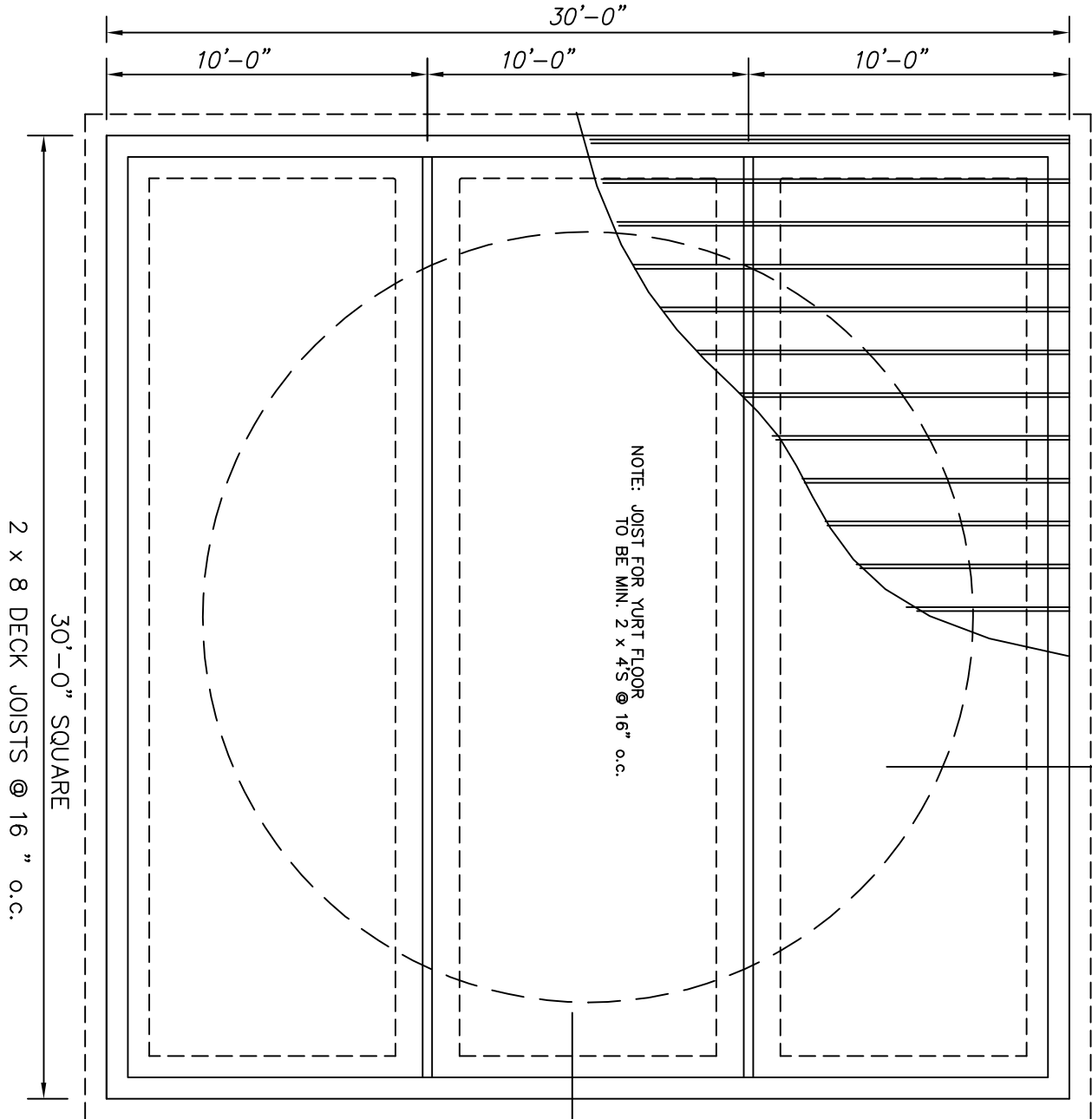
TREX OR EQ. DECKING

**Note:** The bender board is used to surround and retain the lattice of the yurt. It should attach to the perimeter of the raised ("footprint") portion of the deck so that it clears the surface of the interior finish floor by 2 - 3" (do not exceed 3"). Leave a 48" gap in your bender board for each door in your yurt. (56" gap for French doors). For placement of non-symmetrical door call manufacturer.

The bender board can be attached outside of the finished size of the footprint. (e.g. a 20' yurt footprint equals 20' diameter plus the thickness of the bender board.

Choose an appropriate material for your bender board. 1 X Trex fascia bd or better  
 Alternative: Use pressure treated plywood, redwood or equal.

YURT ISOMETRIC SHEET #6



1  
S8

NOTE: JOIST FOR YURT FLOOR  
TO BE MIN. 2 x 4'S @ 16" o.c.

30'-0" SQUARE

2 x 8 DECK JOISTS @ 16" o.c.

AA  
S1  
SIM

NOTE:  
 ° CONSULT YOUR CONSTRUCTION MANUAL FOR INSTALLATION OF WALLS, ROOF, FABRIC, LACING, DOME, & PROPER HEIGHTS OF ALL.  
 ° CONSULT YOUR LOCAL BUILDING DEPT FOR EXACT FROST DEPTH, SIZES OF FOOTINGS AND COLUMNS.

24' YURT ALTERNATE FOUNDATION

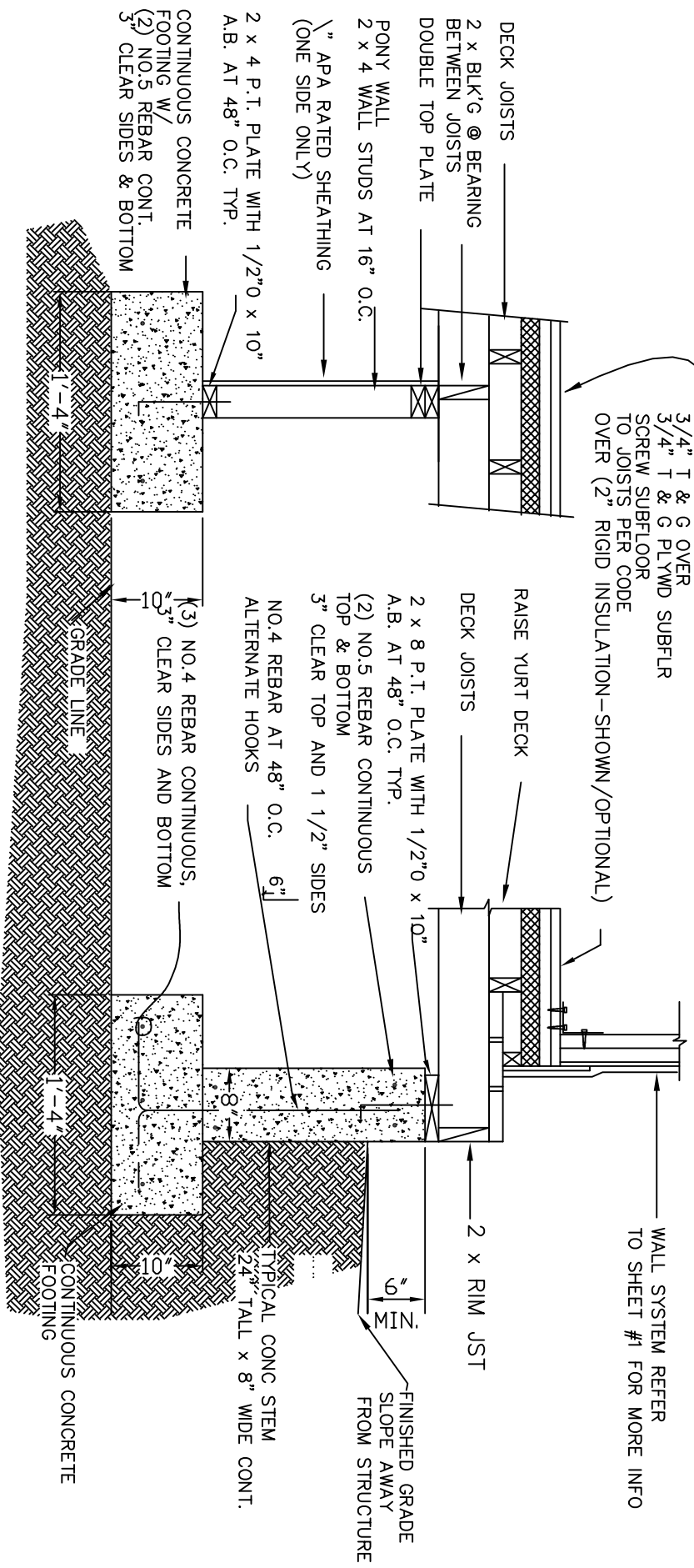
SHEET #7

SCALE: 3/16" = 1'-0"

**NOTE:**

- CONSULT YOUR CONSTRUCTION MANUAL FOR INSTALLATION OF WALLS, ROOF, FABRIC, LACING, DOME, & PROPER HEIGHTS OF ALL.
- CONSULT YOUR LOCAL BUILDING DEPT FOR EXACT FROST DEPTH, SIZES OF FOOTINGS AND COLUMNS.

YURT FLOORING  
 INSTALL PER MFR SPEC  
 3/4" T & G OVER  
 3/4" T & G PLYWD SUBFLR  
 SCREW SUBFLOOR  
 TO JOISTS PER CODE  
 OVER (2" RIGID INSULATION—SHOWN/OPTIONAL)



1 ALTERNATE FOUNDATION DETAIL

ALTERNATE FOUNDATION DETAIL SHEET #8